

ENERVEX® BDR-M BAROMETRIC DRAFT REGULATOR

020.2102.1123 11.23

Product Information

Use

The BDR-M Barometric Draft Regulator is a single acting draft control damper used to provide precise draft regulation on gas or oil fired appliances in commercial and industrial applications.

Description

The BDR-M Barometric Draft Regulator, a self-regulating damper with a single blade, is designed for seamless integration into vent systems with standard stack diameters ranging from 4" to 32".

Upon achieving proper vent system balance, the BDR-M is configured to uphold draft stability through the utilization of provided weights.

Crafted from 316L stainless steel, the BDR-M Barometric Draft Regulator is engineered with slip connections to connect to chimneys without flange connections or with a standard 1/2" flanged connection. Its construction ensures durability and resilience, withstanding temperatures of up to 1400°F (760°C).

Material

The BDR-M Barometric Draft Regulator body is constructed from 316L. Hardware and weights are constructed from 304SS.

Standard Equipment

- Sheet Metal Screws
- Weight Kit

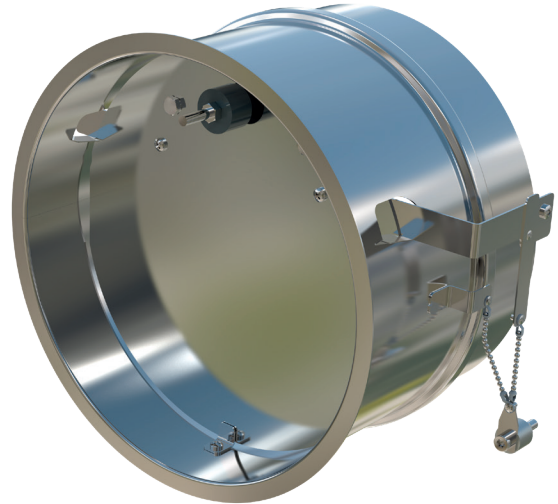
Listings

The BDR-M Barometric Draft Regulator is UL listed in the US and certified for Canada under Underwriters Laboratories Inc. file no. E467733:

- UL 378 Standard for Draft Equipment
- ULC/ORD-C378 Draft Equipment

Warranty

2-Year Factory Warranty. Complete warranty conditions are available from ENERVEX Inc.



UL File E467733

ENERVEX Inc.
1685 Bluegrass Lakes Parkway
Alpharetta, GA 30004
USA

P: 770.587.3238
F: 770.587.4731
T: 800.255.2923
info@enervex.com
www.enervex.com

ENERVEX®
VENTING DESIGN SOLUTIONS



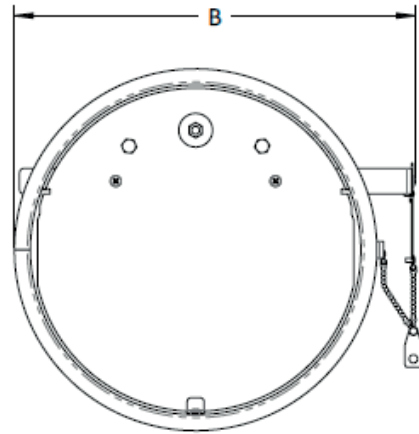
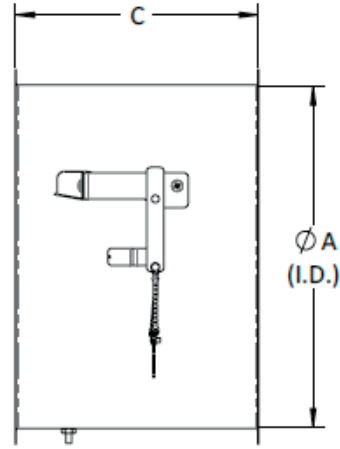
ENERVEX[®] BDR-M BAROMETRIC DRAFT REGULATOR

020.2102.1123 11.23

Product Information

Specifications

Model	Size	DIM A in/mm	DIM B in/mm	DIM C in/mm
BDR-M 4	4	3.85/98	5.86/149	6.00/152
BDR-M 6	6	5.85/149	7.86/200	6.00/152
BDR-M 8	8	7.85/199	9.86/250	6.00/152
BDR-M 10	10	9.85/250	11.86/301	7.00/178
BDR-M 12	12	11.85/301	13.86/352	7.00/178
BDR-M 14	14	13.85/352	15.86/403	7.00/178
BDR-M 16	16	15.85/403	17.86/454	7.00/178
BDR-M 18	18	17.85/453	19.86/505	7.00/178
BDR-M 20	20	19.85/504	21.86/555	7.00/178
BDR-M 22	22	21.85/555	23.86/606	7.00/178
BDR-M 24	24	23.85/606	25.86/657	7.00/178
BDR-M 26	26	25.85/657	27.86/708	7.00/178
BDR-M 28	28	27.85/707	29.86/759	7.00/178
BDR-M 30	30	29.85/758	31.86/809	7.00/178
BDR-M 32	32	31.85/809	33.86/860	7.00/178



Specifications are subject to change without notice.

ENERVEX Inc.
1685 Bluegrass Lakes Parkway
Alpharetta, GA 30004
USA

P: 770.587.3238
F: 770.587.4731
T: 800.255.2923
info@enervex.com
www.enervex.com

ENERVEX[®]
VENTING DESIGN SOLUTIONS

