

# ENERVEX® BDR-F BAROMETRIC DRAFT REGULATOR

020.2100.1123 11.23

Product Information

## Use

The BDR-F Barometric Draft Regulator is a single acting draft control damper used to provide precise draft regulation on gas or oil fired appliances in commercial and industrial applications.

## Description

The BDR-F Barometric Draft Regulator, a self-regulating damper with a single blade, is designed for seamless integration into vent systems with standard stack diameters ranging from 4" to 32". Upon achieving proper vent system balance, the BDR-F is configured to uphold draft stability through the utilization of provided weights.

Crafted from 316L stainless steel, the BDR-F Barometric Draft Regulator is specifically engineered to connect to EPS Powerstacks through a standard 1/2" flanged connection. Its construction ensures durability and resilience, withstanding temperatures of up to 1400°F (760°C).

## Material

The BDR-F Barometric Draft Regulator body is constructed from 316L. Hardware and weights are constructed from 304SS.

## Standard Equipment

- U-Band
- Graphite Gasket
- Weight kit

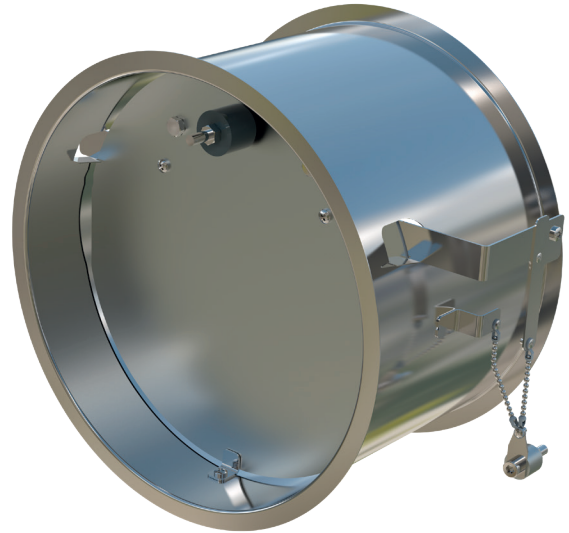
## Listings

The BDR-F Barometric Draft Regulator is UL listed in the US and certified for Canada under Underwriters Laboratories Inc. file no. E467733:

- UL 378 Standard for Draft Equipment
- ULC/ORD-C378 Draft Equipment

## Warranty

2-Year Factory Warranty. Complete warranty conditions are available from ENERVEX Inc.



UL File E467733

ENERVEX Inc.  
1685 Bluegrass Lakes Parkway  
Alpharetta, GA 30004  
USA

P: 770.587.3238  
F: 770.587.4731  
T: 800.255.2923  
info@enervex.com  
www.enervex.com

**ENERVEX®**  
VENTING DESIGN SOLUTIONS

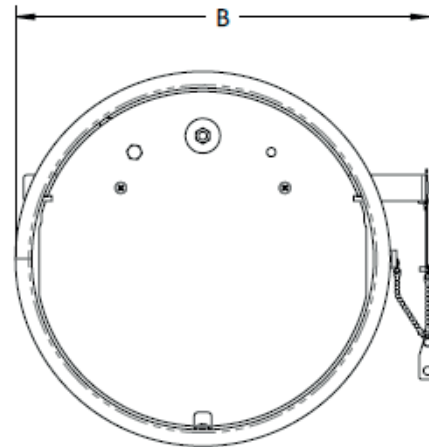
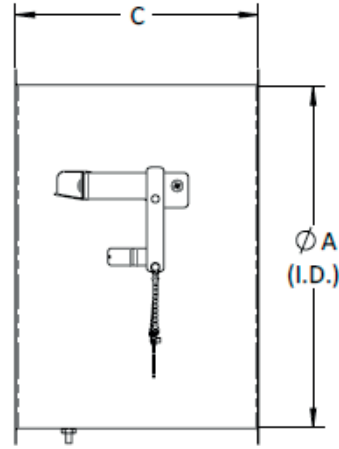
# ENERVEX® BDR-F BAROMETRIC DRAFT REGULATOR

020.2100.1123 11.23

Product Information

## Specifications

Model	Size	DIM A in/mm	DIM B in/mm	DIM C in/mm
BDR-F 4	4	3.94/100	6.02/153	5.00/127
BDR-F 6	6	5.91/150	7.99/203	6.00/152
BDR-F 8	8	7.87/200	9.96/253	6.00/152
BDR-F 10	10	9.84/250	11.93/303	7.00/178
BDR-F 12	12	11.81/300	13.90/353	7.00/178
BDR-F 14	14	13.78/350	15.87/403	7.00/178
BDR-F 16	16	15.75/400	17.83/453	7.00/178
BDR-F 18	18	17.72/450	19.80/503	7.00/178
BDR-F 20	20	19.69/500	21.77/553	7.00/178
BDR-F 22	22	21.65/550	23.74/603	7.00/178
BDR-F 24	24	23.62/600	25.71/653	7.00/178
BDR-F 26	26	25.59/650	27.68/703	7.00/178
BDR-F 28	28	27.56/700	29.64/753	7.00/178
BDR-F 30	30	29.53/750	31.61/803	7.00/178
BDR-F 32	32	31.49/800	33.58/853	7.00/178



Specifications are subject to change without notice.

ENERVEX Inc.  
1685 Bluegrass Lakes Parkway  
Alpharetta, GA 30004  
USA

P: 770.587.3238  
F: 770.587.4731  
T: 800.255.2923  
info@enervex.com  
www.enervex.com

**ENERVEX®**   
VENTING DESIGN SOLUTIONS