

ENERVEX® XTP DIFFERENTIAL PRESSURE SENSOR

020.3031.1220 05.21

Product Information

Use

The XTP Differential Pressure Sensor is an external bi-directional pressure transducer that monitors pressure and sends a signal to a modulating fan control.

Description

The transducer converts measured pressure into a corresponding voltage, which is then relayed to the control to modulate the damper position and/or fan speed — thus regulating pressure at the set-point.

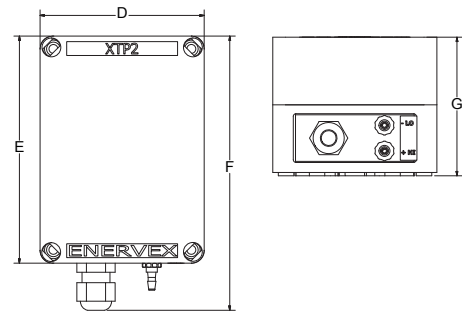
The transmitter uses a patented Si-Glas™ variable capacitance sensor. This MEMS sensor provides extraordinary sensitivity and long term stability. New digital compensation is accomplished using a highly reliable application specific integrated circuit (ASIC).

Warranty

2-Year Factory Warranty. Complete warranty conditions are available from ENERVEX Inc.

Specifications

Power Supply	VDC	12-36	
Amperage	mA	<20	
Output	VDC	0-10	
Operating Temperature	°F/°C	0 to 160 / -18 to 71	
Range of Operation	inWC/Pa	-1.0-+1.0 / -250-+250	
Accuracy	inWC/Pa	+/-0.25%	
Dimensions	D	in/mm	3.70/94
	E	in/mm	5.12/130
	F	in/mm	6.18/157
	G	in/mm	3.13/80
Weight	lbs/kg	0.6/0.3	



Specifications are subject to change without notice.

ENERVEX Inc.
1685 Bluegrass Lakes Parkway
Alpharetta, GA 30004
USA

P: 770.587.3238
F: 770.587.4731
T: 800.255.2923
info@enervex.com
www.enervex.com

ENERVEX®
VENTING DESIGN SOLUTIONS

